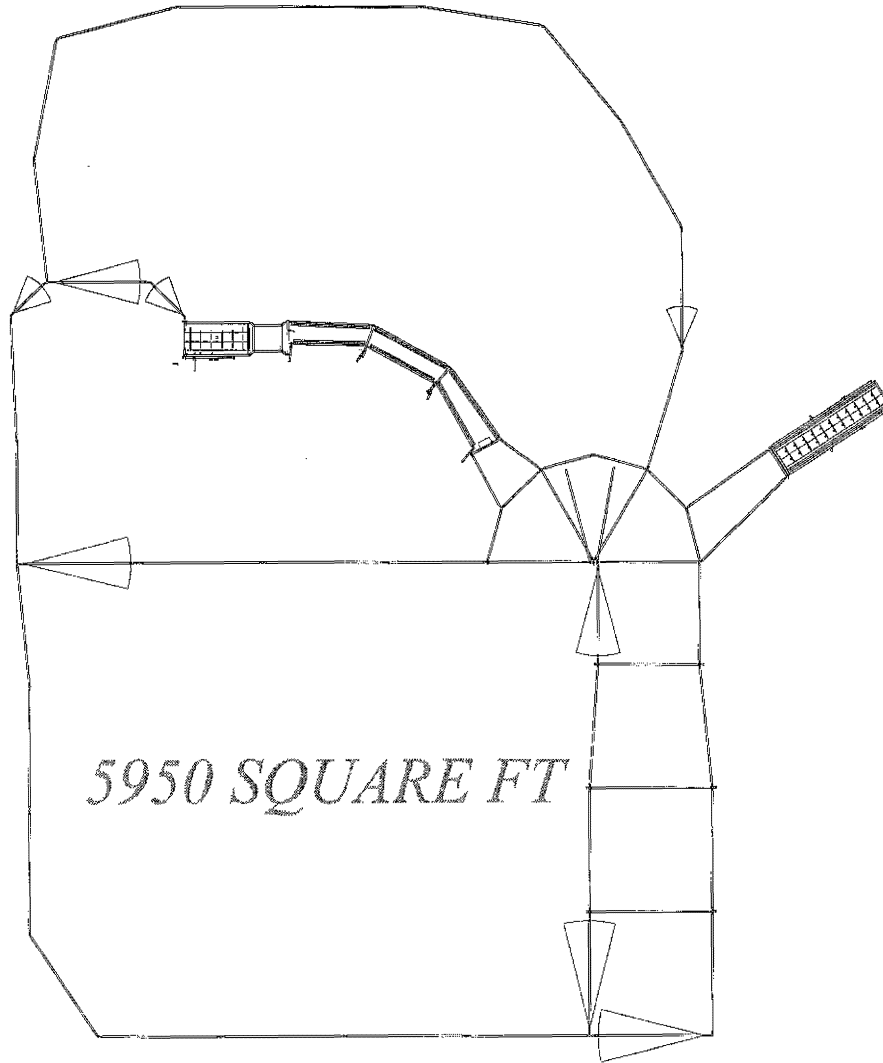
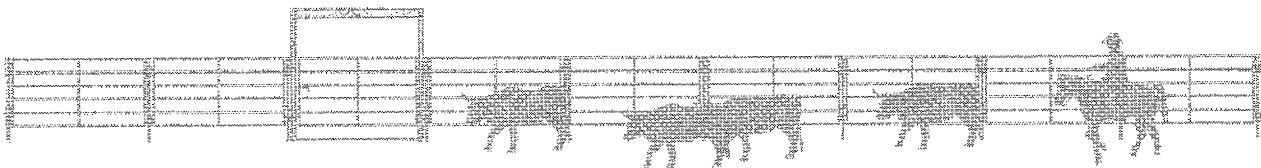




DESIGN 200



5950 SQUARE FT



ACKERMANDISTRIBUTING.COM 800-726-9091



DESIGN #200

5950 SQUARE FT.



PART #	DESCRIPTION	QUANTITY	WEIGHT	TOTAL WEIGHT		
2311-111-000	BM STD. CHUTE	1	1150	1150		
2364-001-000	PALPATION CAGE	1	240	240		
2363-000-000	38 1/2" BLOCK DOOR	1	232	232		
2351-000-000	3-SEC. CROUD ALLEY	1	1320	1320		
2343-100-000	LOAD CHUTE	1	980	980		
2347-000-000	LOAD CHUTE HOOKUPS	1	36	36		
3311-505-000	505 PANEL	1	63	63		
3311-506-000	506 PANEL	1	70	70		
3311-510-000	510 PANEL	3	115	345		
3311-512-000	512 PANEL	27	135	3645		
3312-048-000	CLASSIC 48" GIF	2	102	204		
3315-512-000	CLASSIC 512 G4	1	200	200		
3314-510-078	CLASSIC 510 HPG 7'8"	2	218	436		
3315-512-078	CLASSIC 512 HPG 7'8"	3	254	762		
3331-201-000	SPREADER BAR S-12 TOP	2	26	52		
3331-202-000	SPREADER BAR S-12 BOTTOM	2	33	66		
3331-101-000	SPREADER BAR S-10 TOP	1	20	20		
3331-102-000	SPREADER BAR S-10 BOTTOM	1	29	29		
3318-200-000	2-WAY POST 6'	22	28	616		
3318-300-000	3-WAY POST 6'	3	34	102		
3318-400-000	4-WAY POST 6'	1	37	37		
3318-200-078	2-WAY POST 7'8"	6	34	204		
1342-000-000	HALF SORTING HUB/3 GATE	1	1850	1850		

TOTAL WEIGHT

12659

Discounted Price's Include Wire/Check Discount

We hold the Check until the Equipment is being built or until its ready to ship



800-726-9091 ~ La Salle, CO
 Distributing: Heather's Cell 970-518-6949
 Dist. & Const: Dean's Cell 970-539-0641
 Distributing: David's Cell 970-381-8223
 Const. & Farm: Ron's Cell 970-536-0636
 Horses: Donna's Cell 970-371-1226

★ 22935 CR 33 La Salle, CO 80645 - Fax 970-284-5599 - ackermandistributing@gmail.com ★