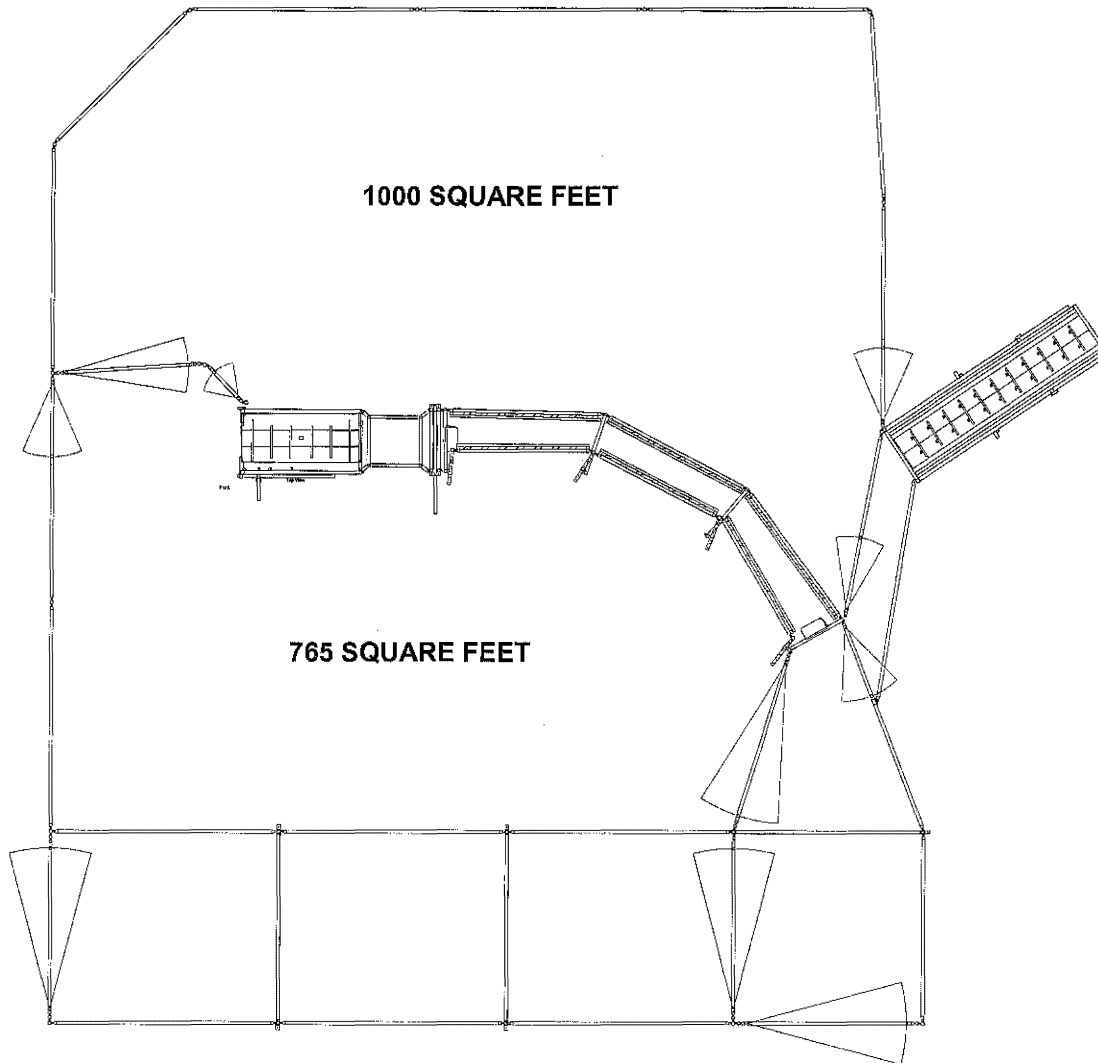




Design 125



ACKERMANDISTRIBUTING.COM 800-726-9091



DESIGN #125

2340 SQUARE FT.



PART #	DESCRIPTION	QUANTITY	WEIGHT	TOTAL WEIGHT		
2311-111-000	BM STD. CHUTE	1	1150	1150		
2364-001-000	PALPATION CAGE	1	240	240		
2363-000-000	38 1/2" BLOCK DOOR	1	232	232		
2351-000-000	3-SEC. CROUD ALLEY	1	1320	1320		
2343-100-000	LOAD CHUTE	1	980	980		
2347-000-000	LOAD CHUTE HOOKUPS	1	36	36		
3311-510-000	510 PANEL	2	115	230		
3311-512-000	512 PANEL	12	135	1620		
3312-024-000	CLASSIC 24" GIF	1	75	75		
NA	CLASSIC 510 G5	1	178	178		
3315-512-000	CLASSIC 512 G4	4	200	800		
3314-508-078	CLASSIC 508 HPG 7'8"	1	185	185		
3314-510-078	CLASSIC 510 HPG 7'8"	4	218	872		
3318-200-000	2-WAY POST 6'	10	28	280		
3318-300-000	3-WAY POST 6'	3	34	102		
3318-200-078	2-WAY POST 7'8"	5	34	170		
3318-300-078	3-WAY POST 7'8"	1	38	38		
3319-100-000	PANEL MOUNTING BRACKET	1	14	14		
3331-101-000	SPREADER BAR S-10 TOP	3	20	60		
3331-102-000	SPREADER BAR S-10 BOTTOM	3	29	87		

TOTAL WEIGHT 8669

Discounted Price's Include Wire/Check Discount

We hold the Check until the Equipment is being built or until its ready to ship



ACKERMAN A
SINCE 1965
DISTRIBUTING.COM

800-726-9091 ~ La Salle, CO

Distributing: Heather's Cell 970-518-6949
Dist. & Const: Dean's Cell 970-539-0641
Distributing: David's Cell 970-381-8223
Const. & Farm: Ron's Cell 970-536-0636
Horses: Donna's Cell 970-371-1226

★ 22935 CR 33 La Salle, CO 80645 - Fax 970-284-5599 - ackermandistributing@gmail.com ★