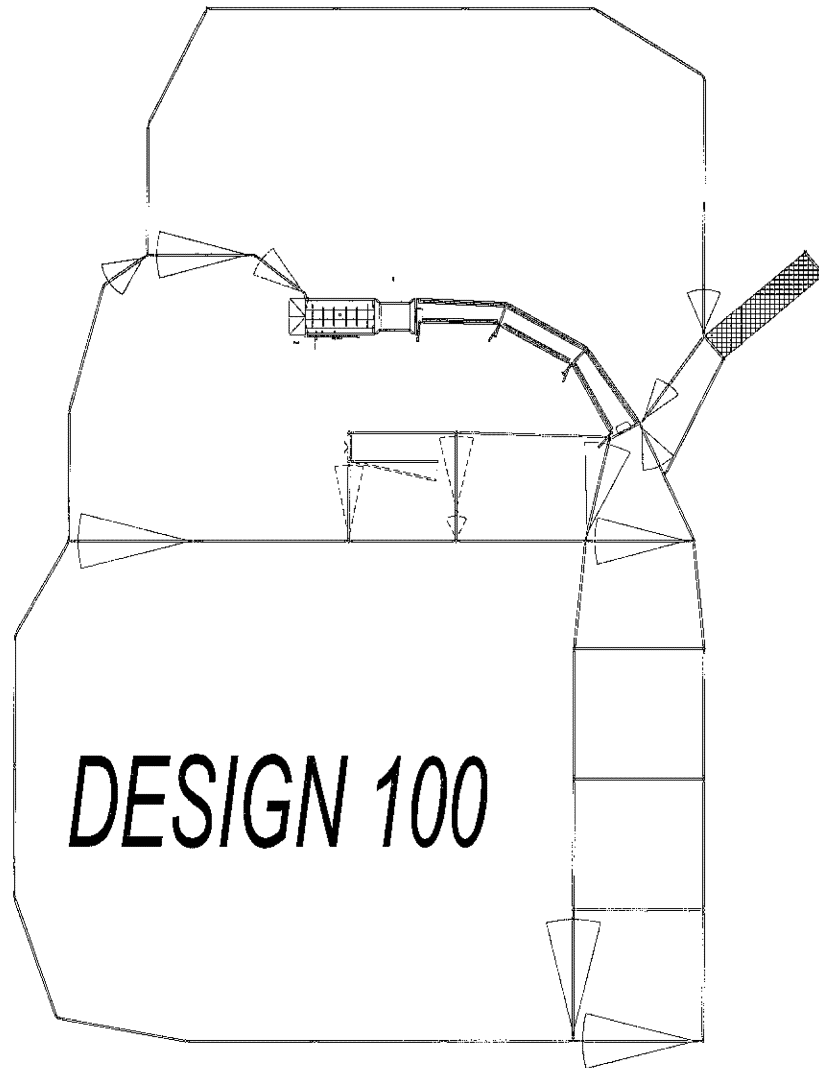




# W-W LIVESTOCK SYSTEM



**DESIGN 100**

*5150 SQUARE FT*



# DESIGN #100

# 5150 SQUARE FT.



PART #	DESCRIPTION	QUANTITY	WEIGHT	TOTAL WEIGHT		
2311-111-000	BM STD. CHUTE	1	1150	1150		
2364-001-000	PALPATION CAGE	1	240	240		
2351-000-000	3-SEC. CROUD ALLEY	1	1320	1320		
2343-100-000	LOAD CHUTE	1	980	980		
2347-000-000	LOAD CHUTE HOOKUPS	1	36	36		
3311-510-000	510 PANELS	3	115	345		
3311-512-000	512 PANELS	25	135	3375		
NA	CLASSIC 510 G5	1	178	178		
3315-512-000	CLASSIC 512 G4	2	200	400		
3312-048-000	CLASSIC 48" GIF	1	102	102		
3312-060-000	CLASSIC 60" GIF	1	116	116		
3314-510-078	CLASSIC 510 HPG 7'8"	3	218	654		
3314-512-078	CLASSIC 512 HPG 7'8"	3	254	762		
3318-100-000	1-WAY POST 6'	1	26	26		
3318-200-000	2-WAY POST 6'	21	28	588		
3318-290-000	2-WAY POST 90 DEG. 6'	2	28	56		
3318-300-000	3-WAY POST 6'	4	34	136		
3318-400-000	4-WAY POST 6'	1	37	37		
3318-200-078	2-WAY POST 7'8"	6	34	204		
3319-100-000	PANEL MOUNTING BRACKET	1	15	15		
3331-201-000	SPREADER BAR S-12 TOP	3	26	78		
3331-202-000	SPREADER BAR S-12 BOTTOM	3	33	99		

TOTAL WEIGHT

10897

Discounted Price's Include Wire/Check Discount

We hold the Check until the Equipment is being built or until its ready to ship



**800-726-9091 ~ La Salle, CO**

Distributing: Heather's Cell 970-518-6949

Dist. & Const: Dean's Cell 970-539-0641

Distributing: David's Cell 970-381-8223

Const. & Farm: Ron's Cell 970-536-0636

Horses: Donna's Cell 970-371-1226

22935 CR 33 La Salle, CO 80645 - Fax 970-284-5599 - ackermandistributing@gmail.com