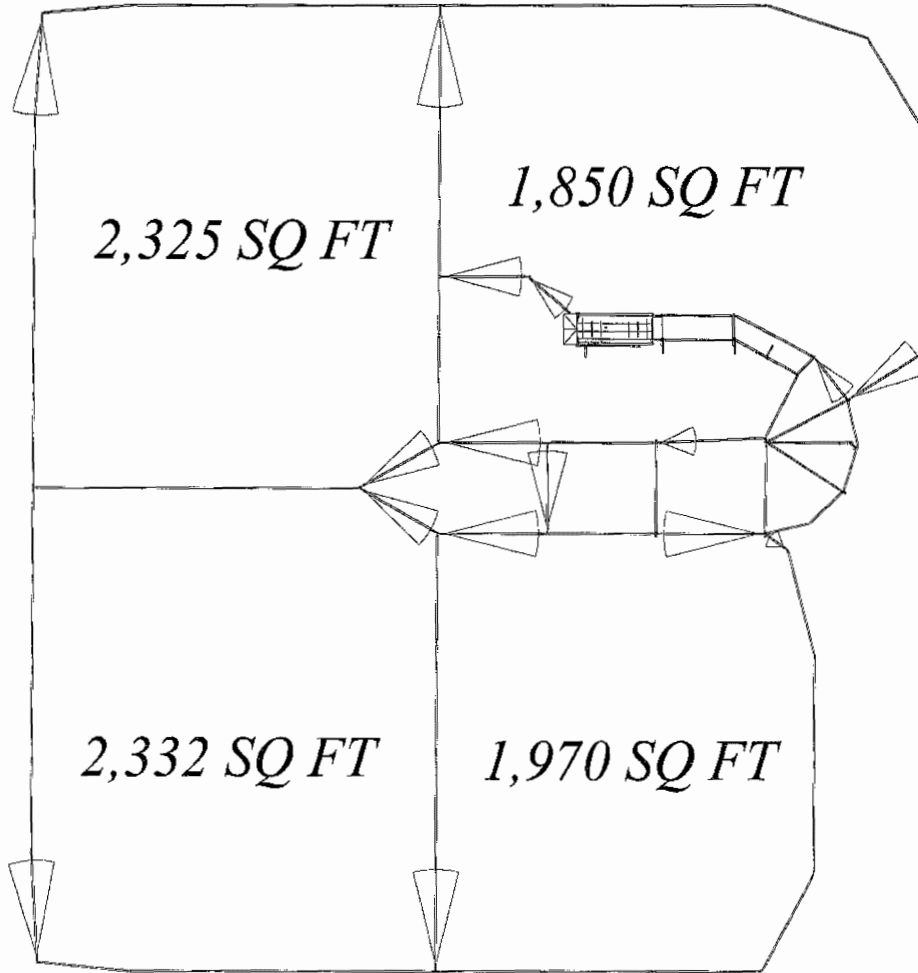
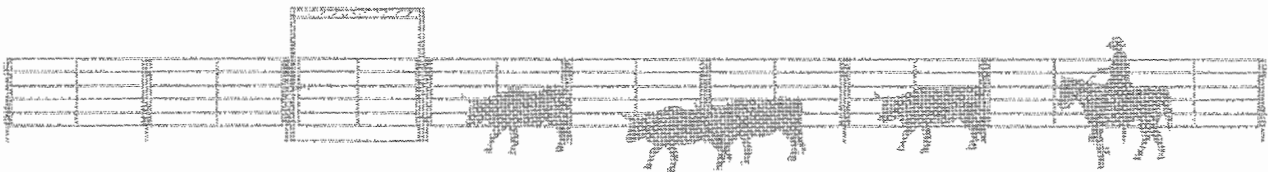




# W-W LIVESTOCK SYSTEM



**DESIGN 032**  
9000 SQUARE FT



**ACKERMANDISTRIBUTING.COM 800-726-9091**



# DESIGN #032

# 9000 SQUARE FT.



PART #	DESCRIPTION	QUANTITY	WEIGHT	TOTAL WEIGHT		
2311-311-001	BM XL 2VG CHUTE	1	1340	1390		
1335-000-000	210 SWEEP TUB	1	620	620		
1326-000-000	"V" TRAP	1	275	275		
3332-320-000	BM ADPT.	1	8	8		
3311-508-000	508 PANEL	3	95	285		
3311-510-000	510 PANEL	13	115	1495		
3311-512-000	512 PANEL	29	135	3915		
3312-024-000	CLASSIC 24" GIF	1	75	75		
3312-060-000	CLASSIC 60" GIF	1	116	116		
3315-512-000	CLASSIC 512 G4	1	200	200		
3314-510-078	CLASSIC 510 HPG 7'8"	5	218	1090		
3314-512-078	CLASSIC 512 HPG 7'8"	7	254	1778		
3313-038-000	CLASSIC ACF 38 1/2"	2	60	120		
3313-700-000	ADJ. SLIDE POST	2	30	60		
3318-200-000	2-WAY POST 6'	39	28	1092		
3318-300-000	3-WAY POST 6'	8	34	272		
3318-200-078	2-WAY POST 7'8"	2	34	68		
3331-101-000	SPREADER BAR S-10 TOP	1	20	20		
3331-102-000	SPREADER BAR S-10 BOTTOM	1	27	27		
3319-100-000	PANEL MOUNTING BRACKET	1	14	14		

TOTAL WEIGHT 12920

Discounted Price's Include Wire/Check Discount

We hold the Check until the Equipment is being built or until its ready to ship



800-726-9091 ~ La Salle, CO

Distributing: Heather's Cell 970-518-6949  
 Dist. & Const: Dean's Cell 970-539-0641  
 Distributing: David's Cell 970-381-8223  
 Const. & Farm: Ron's Cell 970-536-0636  
 Horses: Donna's Cell 970-371-1226

★ 22935 CR 33 La Salle, CO 80645 - Fax 970-284-5599 - ackermandistributing@gmail.com ★