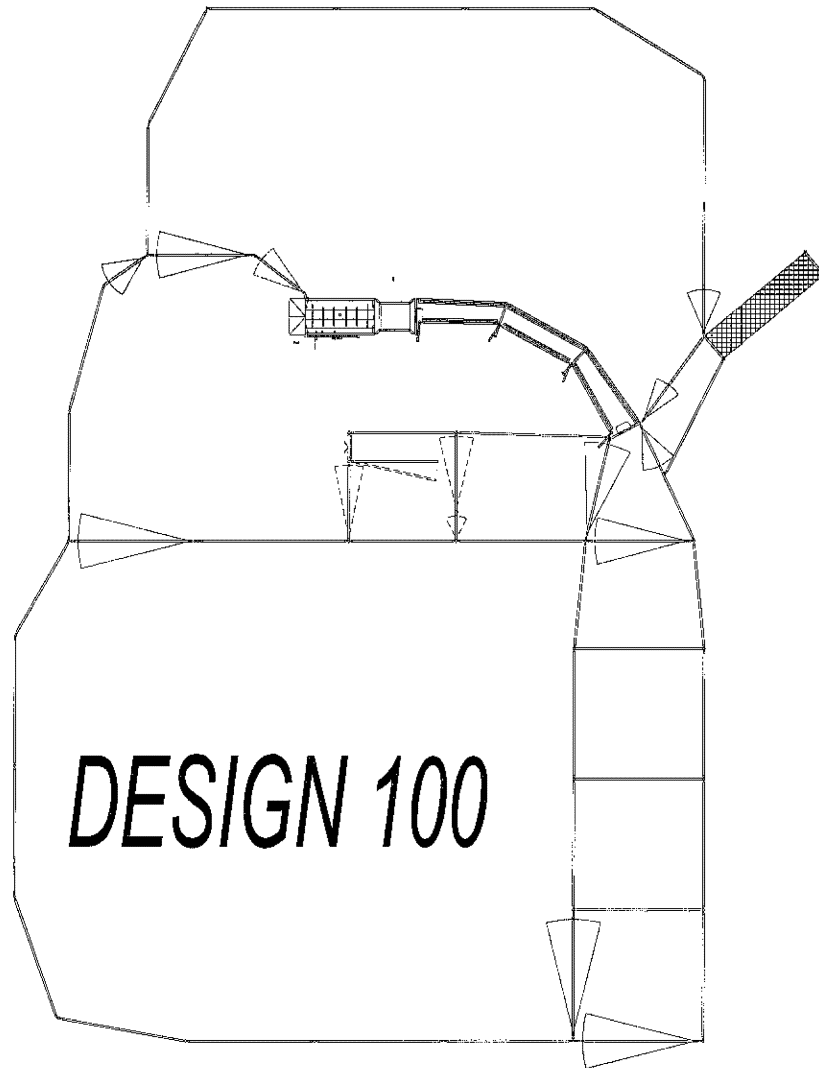




W-W LIVESTOCK SYSTEM



DESIGN 100

5150 SQUARE FT



DESIGN #100

5150 SQUARE FT.



PART #	DESCRIPTION	QUANTITY	WEIGHT	TOTAL WEIGHT	ITEM PRICE	EXTENDED PRICE
2311-111-000	BM STD. CHUTE	1	1150	1150	\$ 4,579.00	\$ 4,579.00
2364-001-000	PALPATION CAGE	1	240	240	\$ 857.00	\$ 857.00
2351-000-000	3-SEC. CROUD ALLEY	1	1320	1320	\$ 5,193.00	\$ 5,193.00
2343-100-000	LOAD CHUTE	1	980	980	\$ 5,818.00	\$ 5,818.00
2347-000-000	LOAD CHUTE HOOKUPS	1	36	36	\$ -	\$ -
3311-510-000	510 PANELS	3	115	345	\$ 292.00	\$ 876.00
3311-512-000	512 PANELS	25	135	3375	\$ 333.00	\$ 8,325.00
NA	CLASSIC 510 G5	1	178	178	\$ 743.00	\$ 743.00
3315-512-000	CLASSIC 512 G4	2	200	400	\$ 592.00	\$ 1,184.00
3312-048-000	CLASSIC 48" GIF	1	102	102	\$ 338.00	\$ 338.00
3312-060-000	CLASSIC 60" GIF	1	116	116	\$ 338.00	\$ 338.00
3314-510-078	CLASSIC 510 HPG 7'8"	3	218	654	\$ 650.00	\$ 1,950.00
3314-512-078	CLASSIC 512 HPG 7'8"	3	254	762	\$ 725.00	\$ 2,175.00
3318-100-000	1-WAY POST 6'	1	26	26	\$ 69.00	\$ 69.00
3318-200-000	2-WAY POST 6'	21	28	588	\$ 69.00	\$ 1,449.00
3318-290-000	2-WAY POST 90 DEG. 6'	2	28	56	\$ 80.00	\$ 160.00
3318-300-000	3-WAY POST 6'	4	34	136	\$ 82.00	\$ 328.00
3318-400-000	4-WAY POST 6'	1	37	37	\$ 92.00	\$ 92.00
3318-200-078	2-WAY POST 7'8"	6	34	204	\$ 91.00	\$ 546.00
3319-100-000	PANEL MOUNTING BRACKET	1	15	15	\$ 69.00	\$ 69.00
3331-201-000	SPREADER BAR S-12 TOP	3	26	78	\$ 84.00	\$ 252.00
3331-202-000	SPREADER BAR S-12 BOTTOM	3	33	99	\$ 115.00	\$ 345.00

TOTAL WEIGHT 10897

TOTAL RETAIL PRICE	\$ 35,686.00
Materials Sur Charge	\$ -
TOTAL RETAIL PRICE	\$ 35,686.00



800-726-9091 ~ La Salle, CO

Distributing: Heather's Cell 970-518-6949
 Dist. & Const: Dean's Cell 970-539-0641
 Dist. & Sioux: David's Cell 970-381-8223
 Const. & Farm: Ron's Cell 970-536-0636
 Horses: Donna's Cell 970-371-1226

★ 22935 CR 33 La Salle, CO 80645 - Fax 970-284-5599 - ackermandistributing@gmail.com ★